

PRODUCT NUMBER

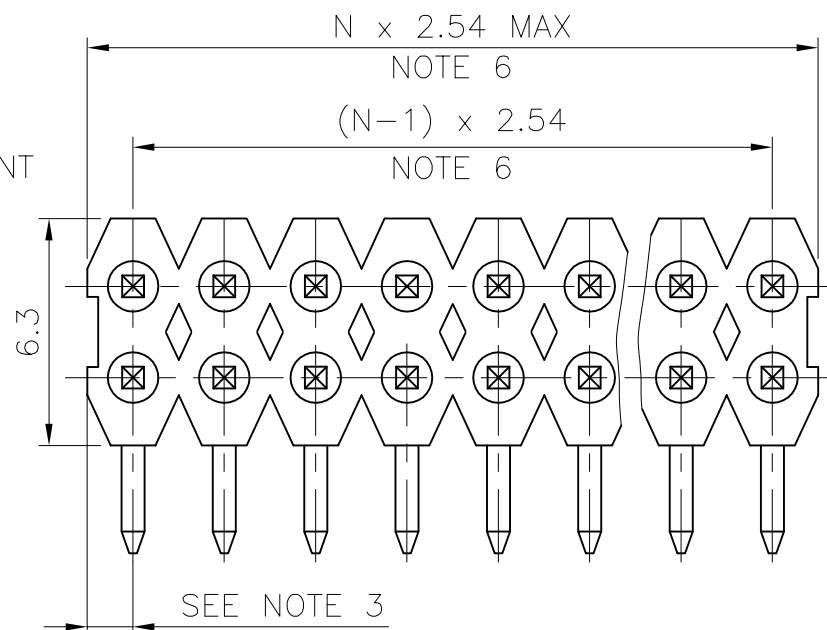
77319-YXX-XXLF

WHEN REQUIRED, ADD SUFFIX LETTER "LF"
INDICATES THE PRODUCT IS RoHS COMPLIANT
& COMPATIBLE, SEE NOTE 7

TOTAL NB OF POSITIONS 04 TO 72

PIN STYLE SEE SHEET 2

PLATING SEE SHEET 2



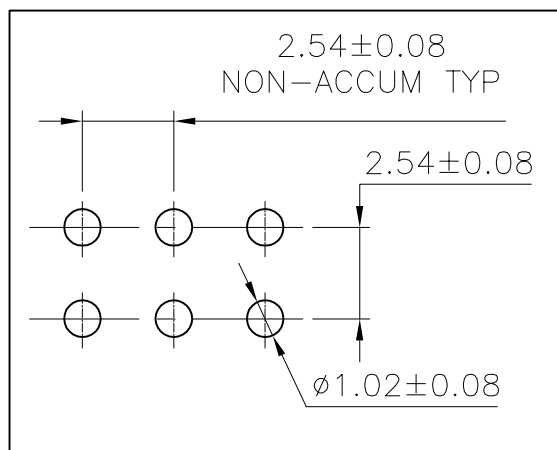
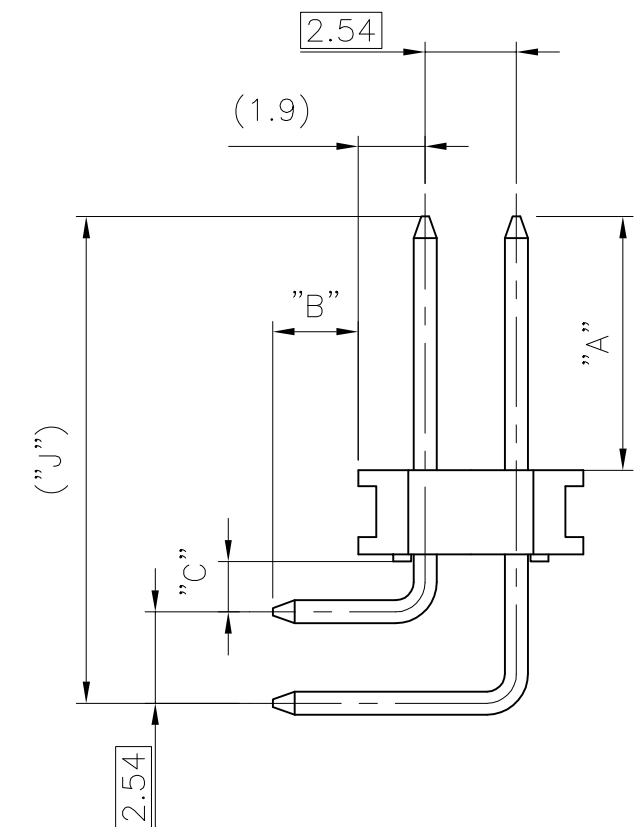
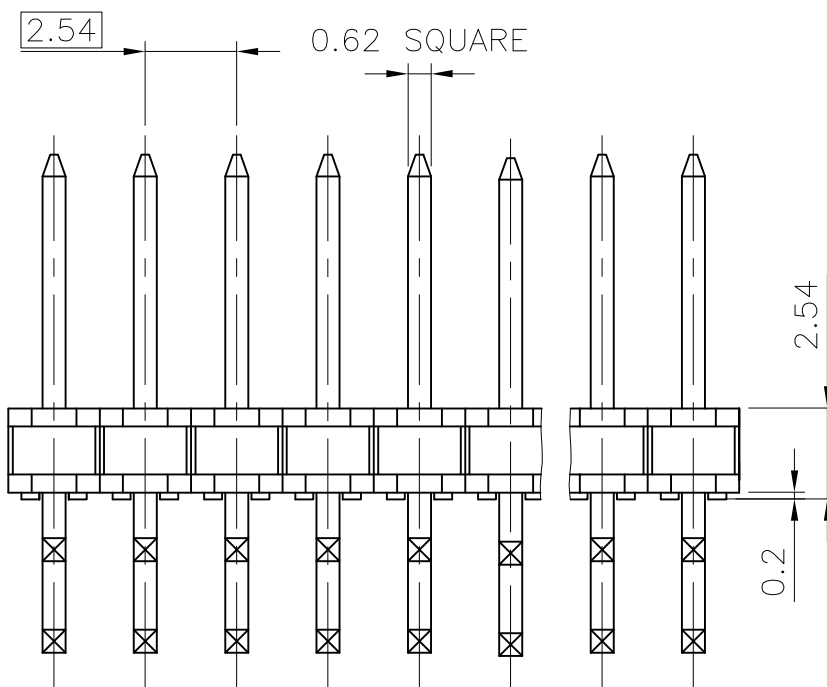
NOTES:

1. HOUSING MAT'L : HIGH TEMPERATURE THERMOPLASTIC. UL94V-0 COLOR: BLACK
2. PIN MATERIAL : PHOSPHOR BRONZE
3. DIM $1.27^{+0.03}_{-0.13}$ FOR MOULDED SIDE(S) ONLY. IF SIDE(S) ARE BROKEN, DIM 1.02 TO 1.7 MAX APPLIES.

4. PRODUCT PACKAGED IN POLY BAGS.
5. 12N MIN RETENTION IN EITHER DIRECTION

6. TO DETERMINE DIMENSIONS :
N = NUMBER OF POSITIONS PER ROW
EXAMPLE : 8 POS $N \times 2.54 = 20.32\text{mm}$
7. RoHS COMPATIBLE PRODUCT SPECIFICATIONS

- a - MANUFACTURING PROCESS COMPATIBILITY
- THE HOUSING WILL WITHSTAND EXPOSURE TO $260^{\circ}\text{C} \pm 5^{\circ}\text{C}$ SOLDER BATH TEMPERATURE FOR 5 SECONDS IN A WAVE SOLDER APPLICATION WITH A 1.6mm MIN THICK CIRCUIT BOARD.
- b - LABELLING:
- MEETS PACKAGING SPECS AS PER GS-14-920
- c - LEGAL STATEMENT : SEE GS-22-008



RECOMMENDED HOLE PATTERN

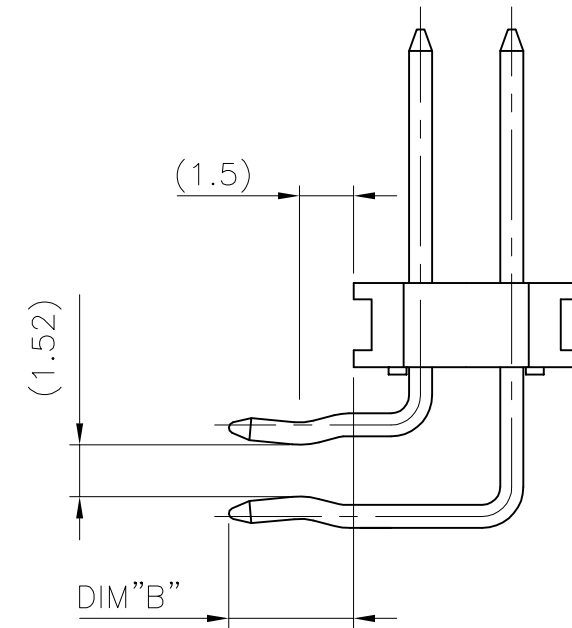
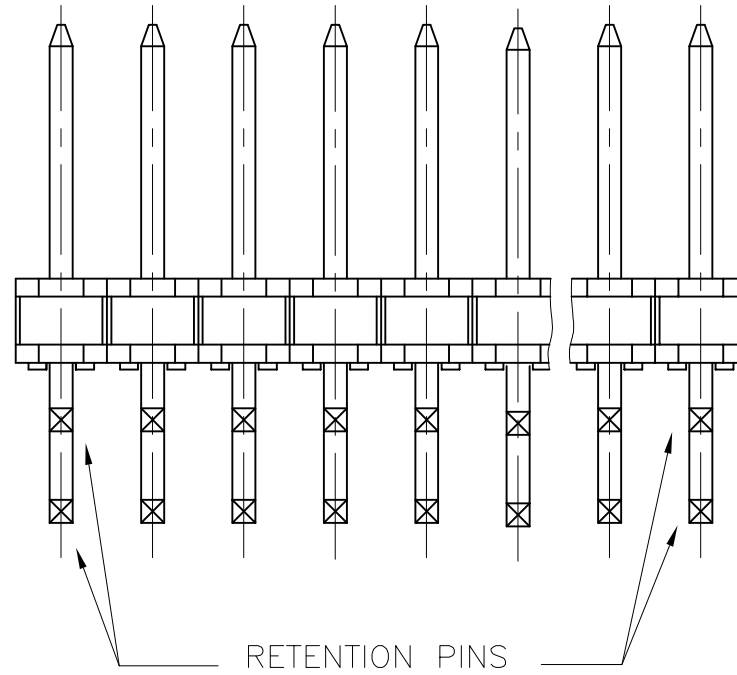
mat'l. code				surface ISO 1302	tolerance ISO 406 ISO 1101	projection	product family BSTIK
ltr	ecn no	dr	date	tolerances unless otherwise specified		mm	title HEADER RA,DR, WIDE BODY 2.54mm
R	F08-0148	RTR	08.03.31	angles	linear		scale 5:1
K	F60884	OMA	96.12.05	dr	COMPAGNON J	95.11.15	dwg no 77319
L	F00837	LMU	00.11.10	enr	JMC	95.11.15	sheet 1 of 2
M	F03-0201	LMU	03.04.23	chr	JMC	95.11.15	size A3
N	F05-0186	LMU	05.06.09	appd	JMC	95.11.15	type CUSTOMER Drawing
P	F06-0207	LMU	06.07.27				

sheet index	revision sheet	R	P	1	2															
-------------	----------------	---	---	---	---	--	--	--	--	--	--	--	--	--	--	--	--	--	--	--



Copyright FCI

PIN STYLE	PRODUCT DIMENSIONS			
	"A" ±0.15	"B" ±0.35	("C") REF	("J") REF
03	8.08	2.93	1.52	14.68
04	5.84	2.83	1.52	12.44



OPTION LETTER "R"
FOR RETENTION

77319-YXXRXX(LF)

NOTES:

- 4 PINS USED FOR RETENTION FEATURE ,2 AT EACH END
- RETENTION FEATURE ONLY AVAILABLE WHEN DIM "B" IS BETWEEN 2.9 AND 3.5mm.

77319-9XX-XXLF	0.2µm Au	2.0-7.5 Sn MATTE
77319-8XX-XXLF	0.38µm Au/GXT	2.0-7.5 Sn MATTE
77319-2XX-XXLF	1.27µm Au	2.0-7.5 Sn MATTE
77319-1XX-XXLF	0.76µm Au/GXT	2.0-7.5 Sn MATTE
77319-1XXSXXLF	0.76µm Au/GXT	GOLD FLASH

77319-9XX-XX	0.2µm Au	4µm SnPb
77319-8XX-XX	0.38µm Au/GXT	4µm SnPb
77319-2XX-XX	1.27µm Au	4µm SnPb
77319-1XX-XX	0.76µm Au/GXT	4µm SnPb
77319-1XXSXX	0.76µm Au/GXT	GOLD FLASH

PLATING CODE	CONTACT AREA	REMAINDER
		PLATING THICKNESS OVER 1.27µm Ni

mat'l. code				surface	tolerance	projection	product family
				ISO 1302	ISO 406 ISO 1101		BSTIK
ltr	ecn no	dr	date	tolerances unless otherwise specified		mm	title
H	F10407	JMC	91.05.24	angles			HEADER RA,DR,
J	F50847	JMC	95.11.15	linear			WIDE BODY 2.54mm
K	F60884	OMA	96.12.05			scale 5:1	dwg no
L	F00837	LMU	00.11.10	dr	COMPAGNON J	95.11.15	sheet 2 of - size
M	F05-0186	LMU	05.06.09	enfr	JMC	95.11.15	77319
N	F06-0207	LMU	06.07.27	chr			A3
P	F08-0148	RTR	08.03.31	appd	JMC	95.11.15	type
sheet index	revision sheet						CUSTOMER Drawing